



**MOTOROLA**

**RLN4781**

**Dashboard Mount Kit**



**Professional Radio**

**Accessories**

# Mobile Dashboard Mounting

**CAUTION: The Installation Manual (contained within the Product Manual) should be referred to for more detailed information on warnings and safety.**

## To Install the Frame into the Dashboard

1. Open out the radio cut-out in the dashboard to ISO 7736 specification (182mm x 53mm).
2. Insert the mounting frame into the cut-out and retain it by bending back the relevant fixing tabs (using all 6 where possible).

**NOTE**

1. The tabs are easily bent back by twisting a large flat-bladed screwdriver in the slot behind the tabs.
2. For a more secure installation the frame should also be secured with screws, the number of screws appropriate to the mounting conditions (minimum 1).
3. The demounting tool can be used as an aid to mounting as well as demounting.

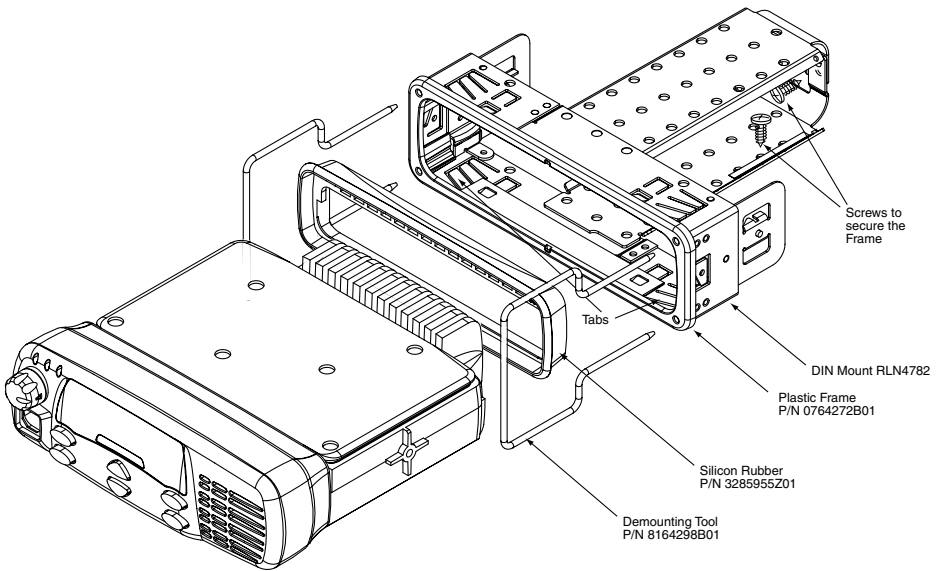
## To Mount the Complete Radio in the Frame (Figure 1)

1. Remove the top plastic cover off the radio.
2. Insert the silicon rubber part (3285955Z01) into the slot (groove) behind the control head of the radio.
3. Provide the electrical connections for the radio (power, antenna, accessories).
4. Plug in all the connectors and push the radio firmly into the mounting frame until the two springs snap into place.

## To Remove the Radio / Remote Mount from the Frame

1. Push the two demounting tools through the openings in the frame until the two springs release the radio.
2. Slide out the radio.

- NOTE**
1. The fixing tabs should be checked for tightness each time the radio is removed. The tabs are easily tightened by twisting a large flat-bladed screwdriver in the slot behind the tabs.
  2. The frame is not designed for daily mounting and demounting.




ZWG0130399-A

Figure 1 Fitting Complete Radio into Mounting Frame

- NOTE** Specifications are subject to change without notice. Contact your Motorola dealer for the latest specifications.

© 2000 by Motorola, Inc.  
Radio Products Group  
Jays Close, Viabes Industrial Estate,  
Basingstoke, Hampshire RG22 4PD United Kingdom

 and Motorola are registered trademarks of Motorola Inc.  
Professional Radio and GP are trademarks of Motorola Inc.  
All Rights Reserved.



68P64110B53-A