

**EP900w Operation Critical
Wireless Earpiece PTT
PMLN7851**



MN004867A01-AB

en-US

This manual is available in other languages (MN005439A01) at <https://learning.motorolasolutions.com>

MOTOROLA, MOTO, MOTOROLA SOLUTIONS and the Stylized M logo are trademarks or registered trademarks of Motorola Trademark Holdings, LLC and are used under license. All other trademarks are the property of their respective owners.
© 2018 Motorola Solutions, Inc.
All rights reserved.

Printed in China

FCC: AZ489FT6020
IC: 109U-89FT6020
IFT: RCPMOPM18-1709
CMIT ID: 2018DJ7084



POWER ON/OFF YOUR DEVICE

There are two operation modes, LMR, and LTE. LMR mode is for device to work with a Motorola Solutions radio as a PTT device; and LTE mode is for device to work with a smartphone as a standard Bluetooth headset and as a PTT device (while working with Motorola Solutions APP).

To power on device according to your preference, follow the following table:

Operation	Activation	LED	Tone	Prompt
LMR	Press MFB for 2 to 3 seconds	Flashing blue for 7 cycles	N/A	"LMR" followed by "Battery High (or Medium or Low)"
LTE	Press MFB and Vol + together for 2 to 3 seconds	Flashing blue twice for 3 cycles	N/A	"LTE" followed by "Battery High (or Medium or Low)"

To power off device:

1. Press the MFB button for more than 3 seconds. A "Power Off" prompt sounds. The LED turns off.

PAIRING YOUR DEVICE

- To put device into discoverable mode for pairing:
1. Make sure that the device is at power off state.

**OPERATIONAL CRITICAL WIRELESS
EARPIECE PTT PMLN7851**

Congratulations on your new Motorola Solutions Operation Critical Wireless (OCW) Earpiece PTT! This earpiece device is designed to allow you the convenience of Bluetooth technology by enabling you to comfortably wear it for long periods of time. Furthermore, the Bluetooth earpiece is exclusively designed with PTT functionality for business radio applications and optimized to work with Motorola Solutions two-way radio and Motorola Solutions applications.

This user guide contains the operation and pairing instructions of the earpiece. Before getting started, please make sure you read and understand the RF and Acoustic Safety sections, which contain very important information about this product.

FOREWORD

Product Safety and RF Exposure Compliance

Caution Before using this product, read the operating instructions for safe usage contained in the RF Energy Exposure and Product Safety Guide enclosed with your radio.

ATTENTION!

The radio is restricted to occupational use only to satisfy ICNIRP/FCC RF energy exposure requirements. Before using this product, read the RF energy awareness information and operating instructions in the RF Energy Exposure and Product

Safety guide booklet enclosed with your radio (Motorola Solutions Publication part number 6881095C98 (US) or 6864117B25 (EMEA)) to ensure compliance with RF energy exposure limits. This device complies with part 15 of the FCC Rules and Industry Canada license-exempt RSS standard (s). Operation is subject to the following two conditions: (1) This device may not cause harmful interference, and (2) this device must accept any interference received, including interference that may cause undesired operation. **(3) Changes or modifications made to the device, not expressly approved by Motorola Solutions, could void the authority of the user to operate this device.**

Battery Information:

Battery is shipped with a nominal charge between 30% and 50%. Battery should be stored between -10 °C (14 °F) and 30 °C (86 °F) to minimize permanent capacity loss.

Caution: Storing your fully charged accessory in high-temperature conditions may permanently reduce the life of the internal battery.

Note: The battery is not a user replaceable part.

Important Information:

- Do not charge your accessory in temperatures below 0 °C (32 °F) or above 45 °C (113 °F). Do not store your accessory in direct sunlight or where

expected temperatures can exceed this range such as inside a parked car.

- Storing your fully charged accessory in high-temperature conditions may permanently reduce the life of the internal battery.
- Battery life may temporarily shorten in low temperature conditions.

ACOUSTIC SAFETY

Exposure to loud noises from any source for extended periods of time may temporarily or permanently affect your hearing. The louder the radio's volume, the less time is required before your hearing could be affected. Hearing damage from loud noise is sometimes undetectable at first and can have a cumulative effect.

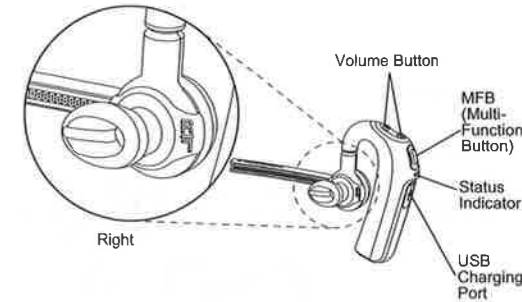
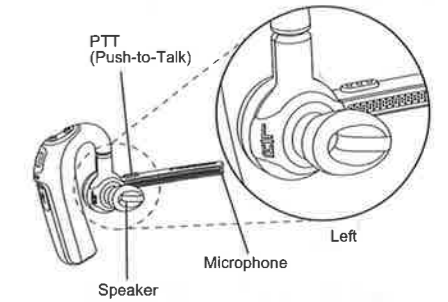
To protect your hearing:

- Use the lowest volume necessary to do your job.
- Turn up the volume only if you are in noisy surroundings.
- Turn down the volume before adding headset or earpiece.
- Limit the amount of time you use headsets or earpieces at high volume.

GETTING STARTED

Before you start, make sure that the earpiece is fully charged. Recommended charging time is two (2) hours.

**OPERATIONAL CRITICAL WIRELESS
EARPIECE PTT OVERVIEW**



CHARGING YOUR DEVICE

Plugging in the USB charging cable to the device triggers charging activity. LED color remains red throughout the charging process and turns into solid green when battery is fully charged. Device must be turned off during charging.

WARRANTY

Motorola Solutions offers a standard one year warranty. Contact your Motorola Solutions dealer for detailed information on the standard warranty.

Note: Warranty is void after customer replacement of any parts other than replacement parts listed.

For more information about this product, please contact your Motorola Solutions Authorized Dealer or visit us at:

www.motorolasolutions.com/bluetoothaccessories

REPLACEMENT PARTS

Part Number	Description
PMLN7940_	Small Earbud for OCW BT PTT
PMLN7941_	Large Earbud for OCW BT PTT

Operation	Activation	LED	Tone	Prompt
LMR	Press MFB for 5 to 6 seconds	Flashing blue for 7 cycles	N/A	"LMR", "Battery High/Medium/Low", "Pairing"
LTE	Press MFB and Vol + together for 5 to 6 seconds	Flashing blue twice for 3 cycles	N/A	"LTE", "Battery High/Medium/Low", "Pairing"

2. Blue LED flashes alternatively.
3. Device remains in discoverable mode for 180 seconds. Host (a radio or phone) completing the process successfully connects to the device.

If you cannot connect to the earpiece:

1. Turn off your smart phone Bluetooth function and turn on again.
2. Restart your smart phone, try to pair and reconnect.

OPERATING YOUR DEVICE

LMR mode

Device can perform PTT function with a Motorola Solutions LMR radio. After device connects to a radio, pressing PTT button enables one-way communication such that voice taken from local microphone can be transmitted to the remote radio. Releasing the PTT button puts the device back to (default) stand-by mode and audio transmitted from the remote radio can be heard from the local speaker.

LTE mode

When device connects to a smartphone in LTE mode, it can function as a standard Bluetooth headset that supports phone conversation and stereo music listening. In addition, if Motorola Solutions APP is running (on either iOS or Android platform), it can work as a PTT device similar to radio use case. The following table shows user interfaces with different functions.

Operation	Activation	LED	Tone	Prompt
Answer call	Click MFB	Heart-beat Blue	Single tone	
Reject call	Long-press MFB (>1s)		Exit tone	
End call	Click MFB		Exit tone	
Play/Pause	Click MFB		-	
Skip forward	Double click Vol+		-	
Skip backhand	Double-click Vol-		-	
Volume up (repeat)	Click Vol+ (Press Vol+)		Step tone	
Volume Down (repeat)	Click Vol- (Press Vol-)		Step tone	

Operation	Activation	LED	Tone	Prompt
Maximum Volume reached	When volume 12 is reached	Heart-beat Blue	Double tone	
Minimum Volume reached	When volume 0 is reached		Double tone	
Paired	-		-	
Connected	-	-	-	Your headset is connected
Disconnected	-	Solid Blue	-	Your headset is disconnected
Idle	-	Solid Blue	-	-
Reconnecting	-	Heart beat Blue	-	Lost Connection
Critical Low Battery	-	-	-	Power Off

When earpiece detects low battery, the current LED color changes from blue to red, and a "Battery Low" prompt sounds periodically.